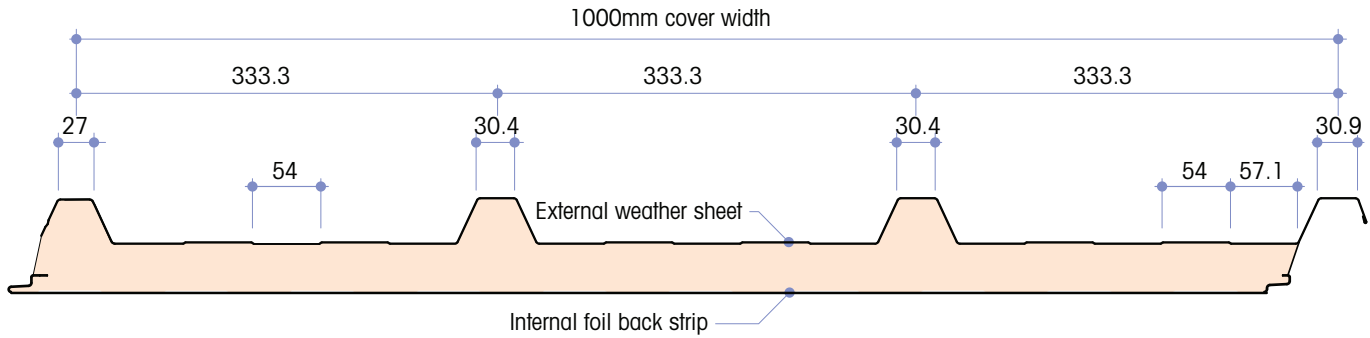


KS1000 FB (Foil Back)



Description

Kingspan KS1000 FB is a cost effective roof and wall product, with an external profile identical to the KS1000 RW panel. The inside (bottom) surface is a highly reflective foil liner, which contributes to the enhanced 'in situ' thermal performance.

The product offers a lighter weight, higher thermal performance solution, for roofing and walling applications where the internal face appearance is not critical (i.e. suspended ceiling below).

Sizes

1000mm cover width, and a panel thickness of 30mm (65mm overall).

Recommended purlin spacing up to 1500mm (subject to wind loads).

Properties

The KS1000 FB product uses the same high performance Australian made **FIREsafe™** PIR (polyisocyanurate) core, as used in all other Kingspan products.

Panel mass per square metre : 6.1 kg/m²

Thermal performance

Flat roof with suspended ceiling: R=3.65 (summer)

Flat roof with no ceiling: R=2.4 (summer)

